



NV66-G2

NIGHT VISION GOGGLES

NSN : 5855-20-000-8284

NV66-G2

ILLUSTRATED PARTS CATALOG

List of Effective Pages

Section, Sub-Section, Subject	Page	Date		Section, Sub-Section, Subject	Page	Date
Title Page	–					
List of Effective Pages	1					
Table of contents	2					
Introduction	3					
Parts List	4					
	5					
	6					
	7					
	8					
	9					
	10					
	11					
	12					
	13					
	14					
	15					
	16					
	17					
NEWCON-OPTIK index	18					
	19					
Record of Revisions	20					

NV66-G2

ILLUSTRATED PARTS CATALOG

Table of Contents

Title	Fig. №	Page
INTRODUCTION		3
PARTS LIST		4
NV66-G2 goggles (general view)	1	4,5
Goggles	2,3	6,7,8,9
Casing objective	4	10,11
Head Straps	5	12,13
4x Catadyoptric Lens	6	14,15
Case	7	16,17
NEWCON-OPTIK		18,19
INDEX		
RECORD OF REVISIONS		20

NV66-G2

ILLUSTRATED PARTS CATALOG

Introduction

The present Catalog is an illustrated list of main parts and assemblies completing the Night Vision Goggles NVS66-G2, here in after referred to as NVS66-G2.

In case of failure of any part or assembly therefore, the Operator should replace it by borrowing the respective part/assembly from spare parts inventory. The amount and assortment of the spare parts should be arranged with each contract individually.

How to Use the Catalog.

Referring to the Table of Contents, determine the number of the respective Figure, find the item you need there on and determine the designation and Description of the part/assembly with the use of the detailed parts list.

NV66-G2
ILLUSTRATED PARTS CATALOG

Parts List

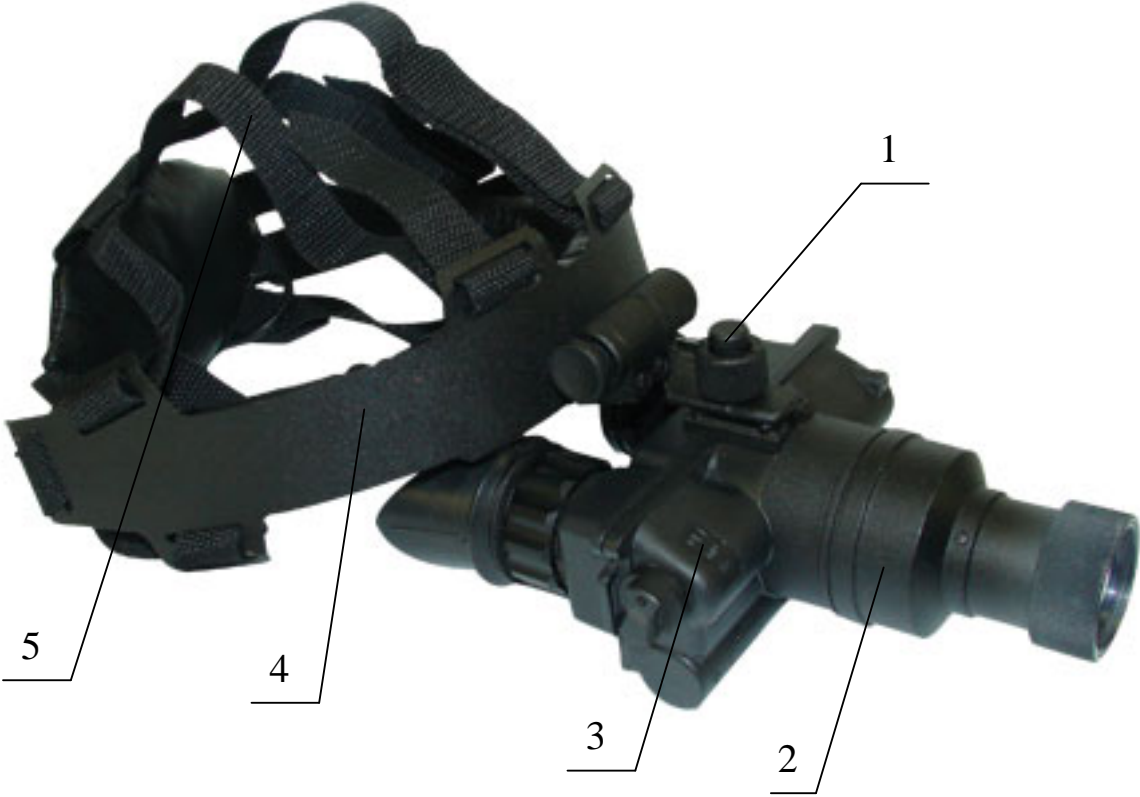


Fig. 1.

NV66-G2

ILLUSTRATED PARTS CATALOG

Fig.	Item	Part number	Description	Units per assy	Interchangeability and modification
1		SAGR 201211.700	NVS66-G2	1	
	1	SAGR 301524.704	Hinge mechanism	1	
	2	SAGR 201371.709	Objective Lens	1	
	3	SAGR 201211.700	Goggles (See Fig.2 and 3 for details)	1	
	4	SAGR 301542.702	Head Harness (See Fig.5 for details)	1	
	5	SAGR 301547.708	Head straps	1	

NV66-G2

ILLUSTRATED PARTS CATALOG

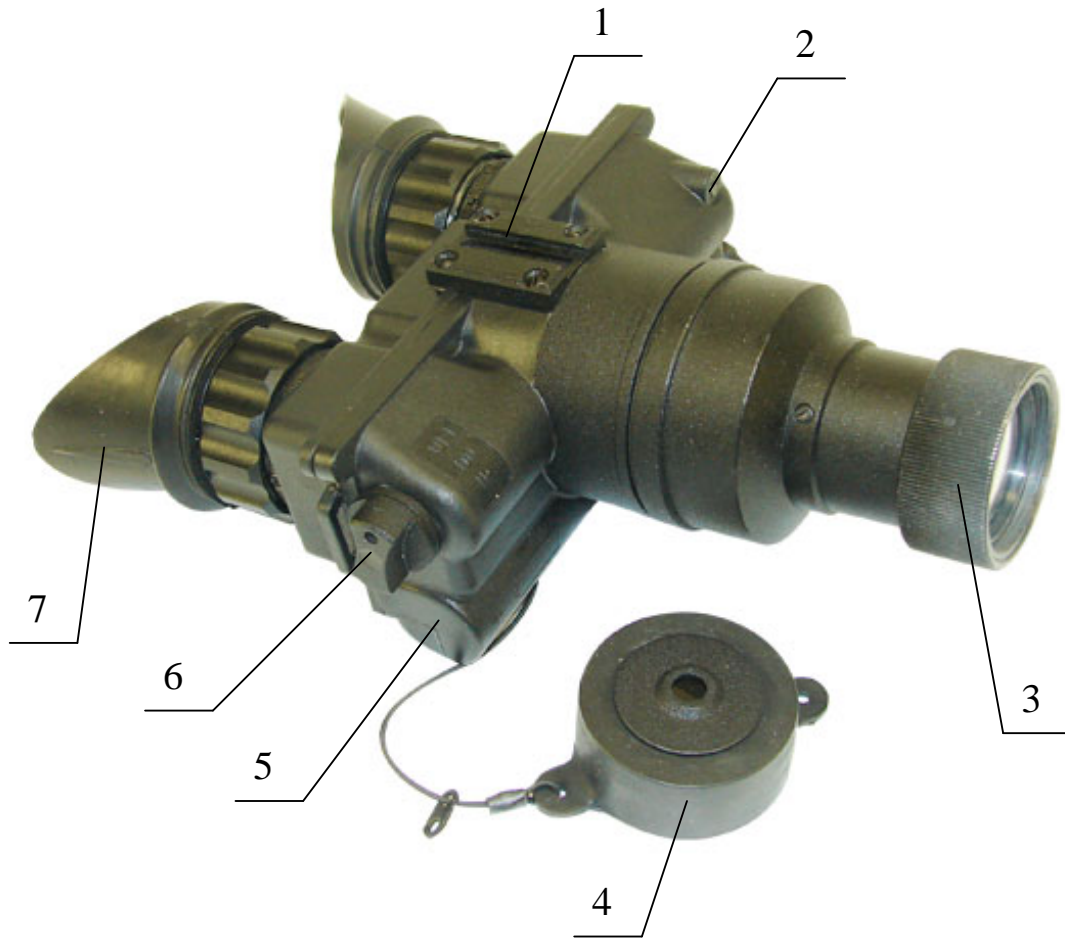


Fig. 2.

NV66-G2

ILLUSTRATED PARTS CATALOG

Fig.	Item	Part number	Description	Units per assy	Interchangeability and modification
2		SAGR 201211.700	GOGGLES	1	
	1	SAGR 745413.707	Bracket	1	
	2	aAO.339.090 TU	IR Illuminator (Diode 3L118-A)	1	
	3	SAGR 201371.709	Objective Lens	1	
	4	SAGR 203419.701	Lens Cap	1	
	5	TU.16-529.858-74	Battery (AA)	2	
	6	OYUO.360.068 TU	Switch (PG2-17-3P4NV)	1	
	7	ASCHE.8.647.003	Rubber Eye-Cup	2	

NV66-G2
ILLUSTRATED PARTS CATALOG

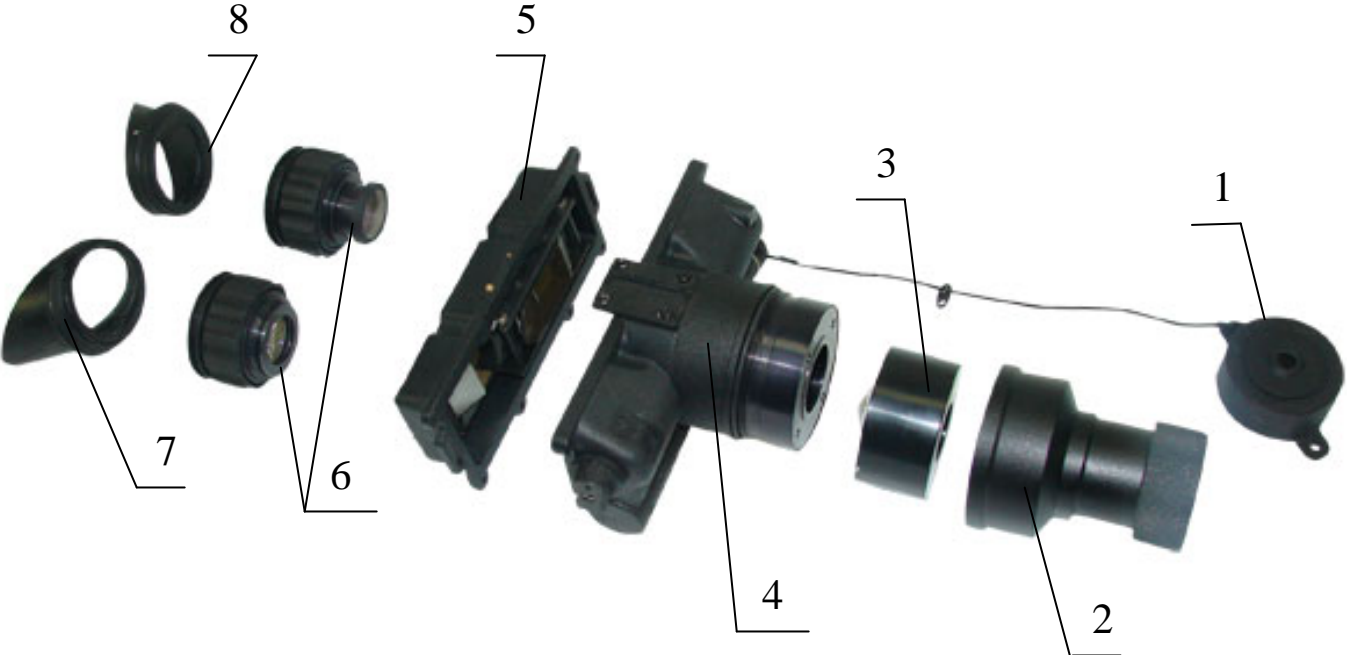


Fig. 3.

NV66-G2

ILLUSTRATED PARTS CATALOG

Fig.	Item	Part number	Description	Qty	Interchangeability and modification
3		SAGR 201211.700	GOGGLES	1	
	1	SAGR 745419.701	Lens Cap	1	
	2	SAGR 201371.709	Objective Lens	1	
	3	EPM66G2	Image Intensifier Tube	1	
	4	SAGR 203121.704	Plastic Body (with power supply and IR illuminator)	1	
	5	SAGR 203521.704	Prism assembly	1	
	6	SAGR 203521.718	Eyepiece (right)	1	
	7	ASCHE 8.647.003	Rubber Eye-Cup	1	
	8	SAGR 203521.717	Eyepiece (left)	1	

NV66-G2
ILLUSTRATED PARTS CATALOG
PLASTIC BODY

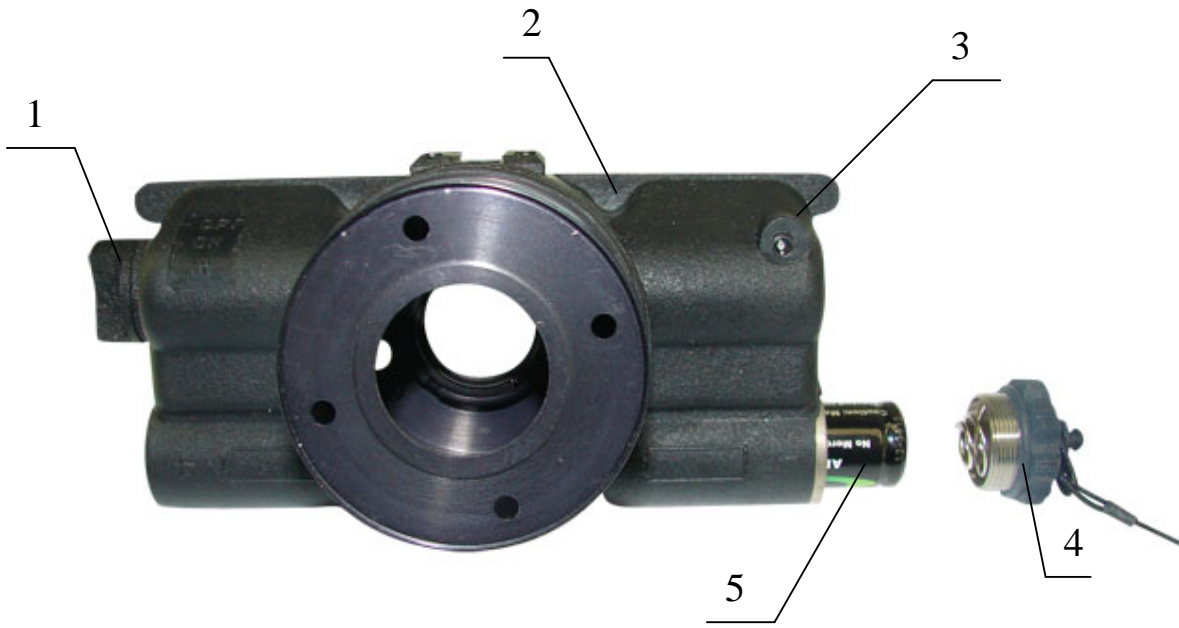


Fig. 4.

NV66-G2

ILLUSTRATED PARTS CATALOG

Fig.	Item	Part number	Description	Units per assy	Interchangeability and modification
4		SAGR 203121.704	PLASTIC BODY (with power supply and IR illuminator)	1	
	1	OYUO.360.068 TU	Switch (PG2-17-3P4NV)	1	
	2	SAGR 203121.704	Plastic Body	1	
	3	aAO.339.090 TU	IR illuminator (Diode 3L 118A)	1	
	4	SAGR 301255.700	Battery House Cover	1	
	5	TU.16-529.858-74	Battery (AA)	2	

NV66-G2
ILLUSTRATED PARTS CATALOG
HEAD HARNESS



Fig. 5.

NV66-G2

ILLUSTRATED PARTS CATALOG

Fig.	Item	Part number	Description	Units per assy	Interchangeability and modification
5		SAGR 301524.704	HEAD HARNESS	1	
	1	SAGR 301547.708	Head strips	5	
	2	SAGR301542.702	Head harness	1	
	3	SAGR 301524.704	Hinge mechanism	1	
	4	SAGR 745413.707	Bracket	1	
	5	SAGR 301547.704	Chin band	1	

NV66-G2

ILLUSTRATED PARTS CATALOG

4X CATADYOPTRIC LENS



Fig. 6.

NV66-G2

ILLUSTRATED PARTS CATALOG

Fig.	Item	Part number	Description	Qty	Interchangeability and modification
6		SAGR 202371.705	4X CATADYOPTRIC LENS	1	
	1	SAGR 711163.702	Cover	1	
	2	SAGR 202371.705	4x Catadyoptric lens	1	
	3	SAGR 203129.708	Cover	1	

NV66-G2

ILLUSTRATED PARTS CATALOG



Fig. 7 SOFT CARRYING BAG

NV66-G2

ILLUSTRATED PARTS CATALOG

Fig.	Item	Part number	Description	Qty	Interchangeability and modification
7		SAGR 203129.709	CASE		
	1	SAGR 203129.709	Case	1	
	2	SAGR 203129.708	Carrying strap	1	

NV66-G2

ILLUSTRATED PARTS CATALOG

NEWCON-OPTIK INDEX

Part number	Branch code	Description	Fig.	Item	Ttl red
SAGR 293129.709		Case	7	(1)	
SAGR 754413.707		Bracket	2	(1)	
SAGR 754413.707		Bracket	5	(4)	
SAGR 203129.708		Carrying strap	7	(2)	
SAGR 203121.704		Casing objective	4	(1)	
SAGR 203121.704		Casing objective (with power supply and IR illuminator)	3	(1)	
SAGR 301547.704		Chin band	5	(5)	
SAGR 201211.700		Goggles	1	(3)	
SAGR203129.708		Cover	6	(1)	
SAGR 301255.700		Cover	4	(1)	
SAGR 711163.702		Cover	6	(1)	
SAGR 745419.701		Cover	2	(4)	
SAGR 745419.701		Cover	3	(1)	
ASCHE.8.647.003		Eye-Cup	3	(7)	
ASCHE.8.647.003		Eye-Cup	2	(7)	
SAGR 301542.702		Head Harness	1	(4)	
SAGR 301542.702		Head Harness	5	(2)	
SAGR 301524.704		Hinge mechanism	1	(1)	
SAGR 301524.704		Hinge mechanism	5	(3)	
SAGR 301574.708		Head straps	5	(1)	
SAGR 301574.708		Head straps	1	(5)	
aAO.339.090 TU		IR illuminator (Diode 3L 118A)	2	(2)	
aAO.339.090 TU		IR illuminator (Diode 3L 118A)	3	(1)	
SAGR 203521.704		Prism assembly	3	(5)	

NV66-G2**ILLUSTRATED PARTS CATALOG**

Part number	Branch code	Description	Fig.	Item	Ttl red
EPM66G2		Image intensifier tube	3	(3)	
SAGR 202371.705		4x Catadyoptric Lens	6	(2)	
TU.16-529.858-74		Battery (AA)	2	(5)	
TU.16-529.858-74		Battery (AA)	4	(5)	
SAGR 201371.709		Objective Lens	1	(2)	
SAGR 201371.709		Objective Lens	2	(3)	
SAGR 201371.709		Objective Lens	3	(1)	
SAGR 203521.717		Eyepiece (left)	3	(8)	
SAGR 203521.718		Eyepiece (right)	3	(6)	
OYUO.360.068 TU		Switch (PG2-17-3P4NV)	2	(6)	
OYUO.360.068 TU		Switch (PG2-17-3P4NV)	4	(1)	

NV66-G2

ILLUSTRATED PARTS CATALOG

Record of Revisions

ev. No	Page			Authorizing document No	Transmittal letter reference No	Signed by	Date
	Revised	Added	Deleted				